

Grand Mega Pixel IP/ Wi-Fi Spill-Resistant Camera

1.3 Mega Pixel / iPhone Web Browser Support / Video & Audio Transmission



- 
1.3 Mega Pixel
(1280 x1024)
- 
iPhone Web
Browser Support
- 
Built-in High
Sensitivity Microphone
- 
Network
Function
- 
real
time
Remote
View & Listen
- 
Motion
Detected Mail
- 
Multi-Language
OSD
- 
Night Vision
12 IR LED
- 
Spill-Resistant
Design
- 
VISTA
Linux
Compatible with
Win 7/ Vista/ XP/ Linux
- 
Surveillance Software
(16 cameras
preview & record)



1. Introduction

Here we're glad to share this wonderful moment with you, **Grand Mega Pixel IP/ Wi-Fi Spill-Resistant Cameras** earned the **2010 Nation award of Excellence** in Taiwan. Taiwan Excellence is the highest accolade awarded to products that encapsulate

Grand Mega Pixel IP/ Wi-Fi Spill-Resistant Cameras are full featured network cameras that enable you to remote view and listen with your web browser (supports iPhone WEB Browser). The Grand Mega Pixel IP/ Wi-Fi Spill-Resistant Cameras use the latest video compression technology that provides clearer and more fluent image transmission.

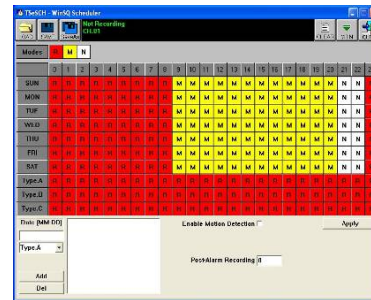
The spill-resistant design expands the scope of applications by letting you install the camera under the eaves of house or store. Choose the Grand Mega Pixel IP/ Wi-Fi Spill-Resistant Cameras to enhance safety and security at your home or office.

2. Products Features

- 1/4" CMOS SXGA Sensor (1.3MegaPixel)
 - Built-in High Sensitivity Microphone for remote listening.
 - High Resolution Image Processor (160x120/ 320x240/ 640x480/ 1280x1024).
 - High Performance Image Compression.
 - The provided **IP Detect** tool allows you to quickly search for and set up cameras located in the local area network (supports Windows 7/ Vista/ XP 32bit).
 - Supports iPhone Web Browser (in MJPEG format).
 - Supports Internet Explorer and Firefox browser for remote viewing on PC.
 - Compatible with Windows 7/ Vista/ XP and Linux OS (32bit).
 - Supports Motion detected Mail Function
 - Supports digital zoom in function.
 - 12-LED infrared for night vision.
 - Network
 - LAN connector: RJ45 port to connect to 10/100 Mbps Ethernet
 - Wireless: Built-in 802.11g Wi-Fi Module (Grand Mega Pixel Wi-Fi Spill-Resistant Camera)
 - Supports TCP/IP / HTTP / FTP / SMTP / DHCP / PPPoE / DDNS / UPnP / NTP service
 - Multi-Languages OSD: English / French / Portuguese / German / Italian / Netherland / Spanish/ Russian / Japanese / Traditional Chinese
 - The spill-resistant design expands the scope of applications by letting you install the camera under the eaves of house or store.
 - Bundle Surveillance Software (supports Windows 7/ Vista/ XP (32bit):
 - Video File Management: Video file database and playback control.
 - Storage Recyclable: When running out of disk space, files with the earliest date will be overwrite automatically.
 - Motion Detection: Detect any movement in the mask area and invoke the alarm as soon as movement is detected.
 - Supports up to 16 cameras remote view and record simultaneously.
- NOTE: When remote view and record 16 cameras simultaneously, a system with higher CPU performance is recommend**
- Multi-Languages OSD: English/ French/ German/ Italian/ Dutch/ Spanish/ Russian/ Japanese/ Traditional Chinese.
 - Supports scheduled recording function.



Surveillance Software



Scheduled Recording

3. System Requirements

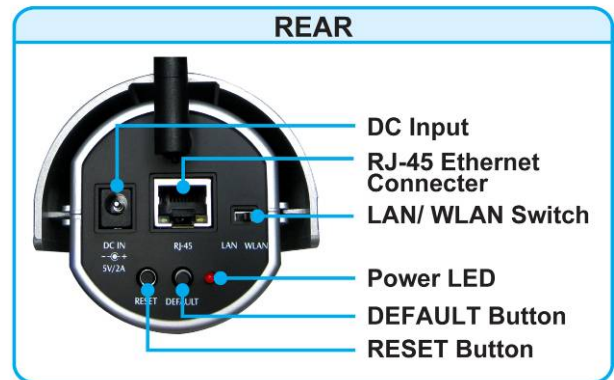
- Processor:
 - **IE Remote View:** Intel Pentium4 2.4GHz or higher
 - **Surveillance Software:**
 - 1 channel: Intel Pentium4 2.4GHz or higher
 - 2~7 channel: Intel Pentium Core 2 Duo 2.4 GHz or higher
 - 8~16 channel: Intel Pentium Core 2 Quad 2.83 GHz or higher
- RAM: 1GB or higher
- Web browser: Microsoft Internet Explorer V6.0 or higher

4. Specifications

Model Name	Grand Mega Pixel IP Camera	Grand Mega Pixel Wi-Fi Camera
Camera-Image Sensor	1/4" CMOS SXGA Sensor (1.3 Mega Pixel)	
IP Detect Tool	Allows you to quickly search for and set up cameras located in the local area network (supports Windows 7/ Vista/ XP 32bit).	
Motion Detection-Action	Send the snapshot picture to a email	
Remote Management	Configuration can be accessed via Web browser	
Multi-Language	English/ French/ Portuguese/ German/ Italian/ Dutch/ Spanish/ Russian/ Japanese/ Traditional Chinese	
Network Protocol	TCP/IP / HTTP / FTP / SMTP / DHCP / PPPoE / DDNS / UPnP / NTP	
Network (Ethernet)	10/100Mbps Fast Ethernet	
Network (Wireless)	N/A	802.11g/ b Wireless
Wireless Operating Range	N/A	20 meters (indoor)
Audio	Built-in High Sensitivity Microphone for remotely listen in	
Video Resolution	160 x 120/ 320 x 240/ 640 x 480/ 1280 x 1024	
Operating System	Windows 7/ Vista/ XP/ Linux OS (32bit)	
Browser	Internet Explorer / Firefox / iPhone Web Browser (Safari)	
Surveillance Software	<ol style="list-style-type: none"> 1. Supports Windows 7/ Vista/ XP (32bit). 2. Video File Management: Video file database and playback control. 3. Storage Recyclable: When running out of disk space, files with the earliest date will be overwrite automatically. 4. Motion Detection: Detect any movement in the mask area and invoke the alarm as soon as movement is detected. 5. Supports up to 16 cameras remote view and record simultaneously. <u>NOTE: When remote view and record 16 cameras simultaneously, a system with higher CPU performance is recommend</u> 6. Multi-Languages OSD: English/ French/ German/ Italian/ Dutch/ Spanish/ Russian/ Japanese/ Traditional Chinese. 7. Supports scheduled recording function. 	
Power	DC 5V/ 2A	
Operating Conditions	0°C ~ 60°C	
Dimensions (L/W/H)	185mm x 76mm x 70.5mm (not included Wi-Fi Antenna)	

5. Hardware Connection and Description

■ Grand Mega Pixel Wi-Fi Spill-Resistant Camera



■ Grand Mega Pixel IP Spill-Resistant Camera

